



JUSTSOLAR Halfcut 182mm MONO MODULE

JST530-550M(144)



High conversion efficiency
High module efficiency to guarantee power output.



Self-cleaning glass
Coating glass for self-cleaning, reduce surface dust.



Outstanding low irradiation performance
Excellent module efficiency even in the weak light conditions, such as morning or cloudy.



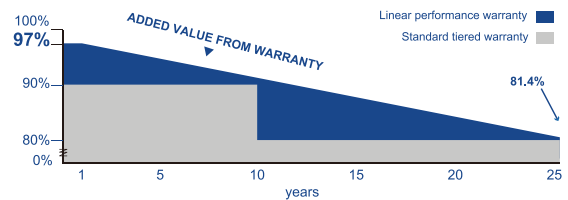
Excellent loading capability
2400Pa wind loads, 5400Pa snow loads.



0 to +5W positive tolerance
Detailed information in Electrical Specifications.



48-hour response service



25-year performance warranty



10-year warranty on materials and workmanship

OUR PARTNERS



GRUPO CYMASOL RENOVABLES S.L.

www.cymasol.com

venta@cymasol.com



ELECTRICAL DATA

Model Type	JST530M(144)	JST535M(144)	JST540M(144)	JST545M(144)	JST550M(144)
Peak Power (Pmax)	530W	535W	540W	545W	550W
Module Efficiency	20.7%	20.9%	21.1%	21.3%	21.5%
Maximum Power Volage (Vmp)	40.80V	41.00V	41.20V	41.40V	41.60V
Maximum Power Current (Imp)	13.00A	13.05A	13.11A	13.17A	13.23A
Open Circuit Voltage (Voc)	49.00V	49.20V	49.40V	49.60V	49.80V
Short Circuit Current (Isc)	13.76A	13.81A	13.87A	13.93A	13.99A
Power Tolerance			0 to +5W		
Maximum System Voltage			1000/1500V		
Nominal Operating Cell Temperature			41±3°C		
Maximum Series Fuse Rating			15A		

MECHANICAL DATA

Cell Type	182mm, Mono
Number of Cells	144(12×6×2)
Weight	29/28.5kg
Dimension	2279*1134*35mm
Max Load	5400 Pascals
Junction Box	IP68 rated
Connector	MC4 Compatible
Wire Type	PV Wire

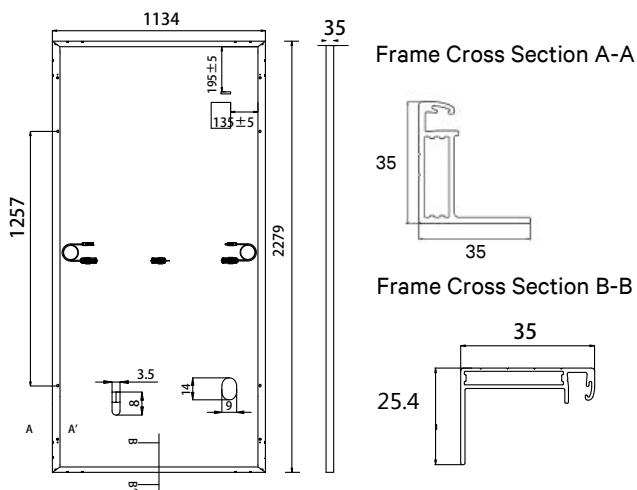
TEMPERATURE CHARACTERISTICS

Temp. Coeff. of Isc (TK Isc)	0.05% /°C
Temp. Coeff. of Voc (TK Voc)	-0.28% /°C
Temp. Coeff. of Pmax (TK Pmax)	-0.36% /°C

PACKING MANNER

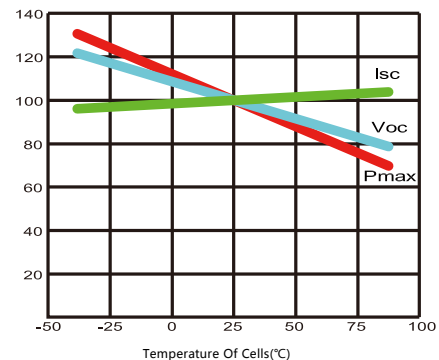
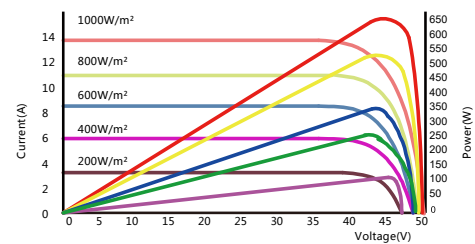
Container	40' HQ
Pieces per Pallet	31
Pieces per Container	620

PHYSICAL CHARACTERISTICS



ELECTRICAL CHARACTERISTICS

JST530M(144)



Note: the specifications are obtained under the Standard Test Conditions (STCs): 1000W/m² solar irradiance, 1.5 Air Mass, and cell temperature of 25°C. The NOCT is obtained under the Test Conditions: 800W/m², 20°C ambient temperature, 1m/s wind speed, AM 1.5 spectrum.

Please contact support@jusolar.com for technical support. The actual transactions will be subject to the contracts. This parameters isfor reference only and it is not a part of the contracts. The specifications are subject to change without prior notice.